

# SRC SERIES III MO# PC118D

# SPECIFICATION & LAYOUT SHEET

## STANDARD FEATURES

- INTERIOR VOLUME: 550 CU. FT.
- PREFAB WALL PANELS WITH EASY LOCKING CAMS
- 4" CFC FREE, SOLID FOAM POLYSTYRENE INSULATION
- CHOICE OF FINISHES AS PER SPEC
- FLOORLESS CONSTRUCTION
- 35½" X 78" UL APPROVED ENTRANCE DOOR  
W/INT. LIGHT, EXT. SWITCH & DIGITAL THERMOMETER
- DIVIDING WALL WITH 2 GLASS SHELVES PER DOOR
- 30¼" X 67" H GLASS DOORS WITH LIGHTS & FRAME HEAT



- SURROUND AIR REFRIGERATION SYSTEM
- ETHYLENE GAS FILTER - 1<sup>ST</sup> YEAR PROGRAM INCLUDED

EXTERIOR FINISH: FRONT & SIDE - CIRCLE: LT OR RT  
CIRCLE: BLACK, WHITE, ALMOND, GRAY, TAN, SHERWOOD GREEN, SLATE BLUE, SPRUCE GREEN, WALNUT & LIGHT OAK WOODGRAIN

INTERIOR DISPLAY FINISH  
CIRCLE: BLACK, WHITE, ALMOND

GLASS DOOR FRAME FINISH  
CIRCLE: GOLD (STD), SILVER, BLACK

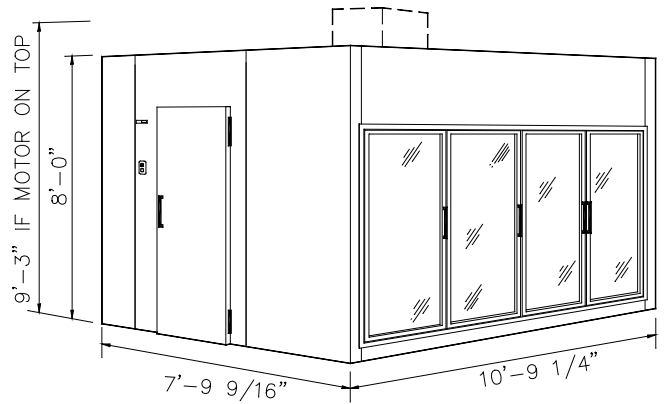
- CHOOSE WALK-IN DOOR LOCATION
- AS SHOWN
  - RELOCATE AS INDICATED \_\_\_\_\_

- CHOOSE WALK-IN DOOR HINGING
- AS SHOWN
  - OPPOSITE AS SHOWN \_\_\_\_\_

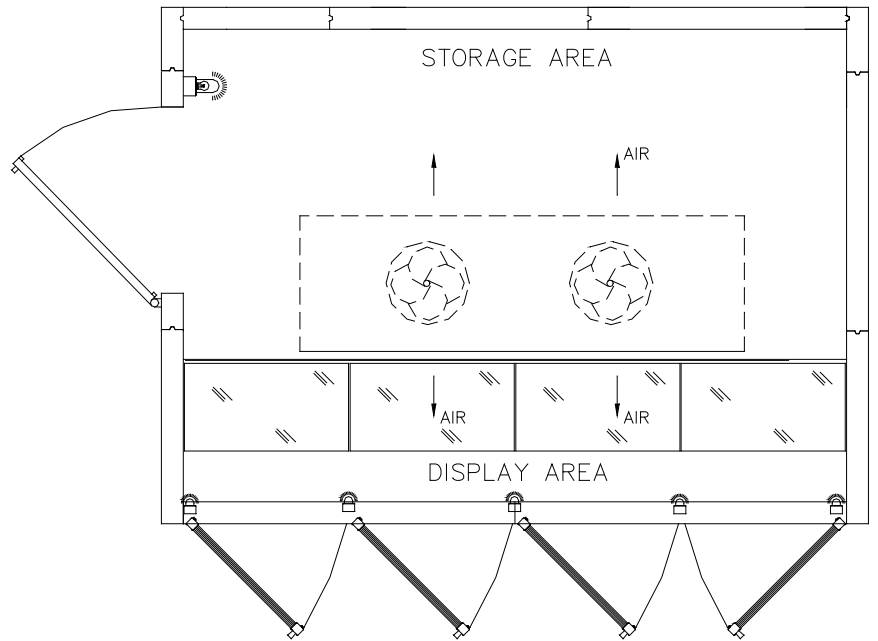
- OPTIONS - EQUIPMENT
- INSULATED FLOOR
  - MODIFICATIONS TO HEIGHT
  - MODIFICATIONS TO SIZE
  - 2 TIER SHELVING FOR STORAGE AREA
  - ADDITIONAL ENTRANCE DOOR
  - 18" X 18" WINDOW IN WALK-IN DOOR
  - DECORATIVE FINISH ON 2<sup>ND</sup> SIDE
  - HEATED GLASS DOORS (NON A/C STORES)
  - 24" X 60" SIDE VIEWING WINDOW
  - LOW AMBIENT CONTROLS (INDOOR UNIT)
  - OUTDOORS REMOTE CONDENSING UNIT
  - STANDARD COIL IN LIEU OF SURROUND AIR
  - BOUQUET RACK WITH 8 VASES
  - WIRE IN LIEU OF GLASS DISPLAY SHELVES
  - EXTRA DISPLAY SHELF
  - FLUORESCENT LIGHT IN STORAGE AREA

- OPTIONS - INSTALLATION
- FACTORY AUTHORIZED INSTALLATION
  - INDOORS REMOTE CONDENSING UNIT
  - OUTDOOR REMOTE INSTALLATION
  - CRANE LIFT
  - SITE INSPECTION REQUIRED

NOTES:  
ALL REQUIRED ELECTRIC INCLUDING FINAL CONNECTIONS TO SRC EQUIPMENT BY OTHERS  
10' DRAIN TUBING PROVIDED FOR CONDENSATE WATER. WATER CAN DRAIN INTO BUCKET PROVIDED BY CUSTOMER



PERSPECTIVE



PLAN VIEW